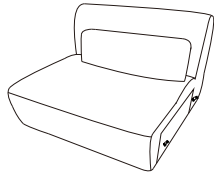


Part List:



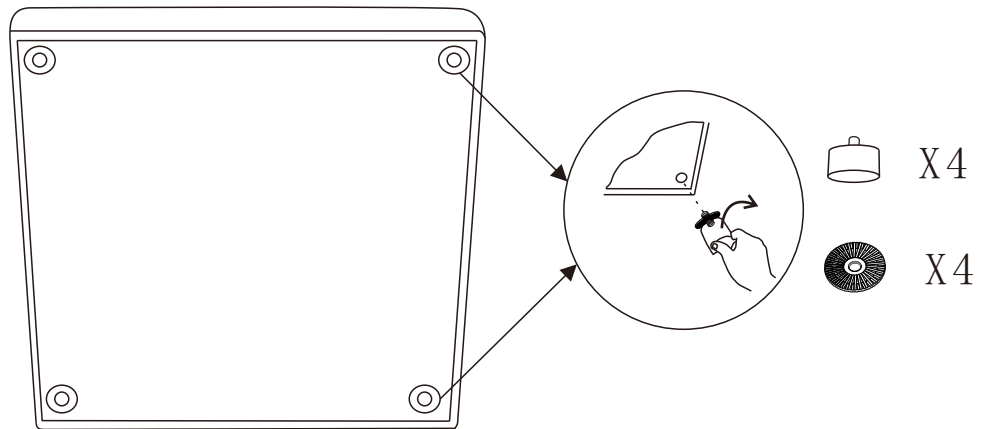
A x 4



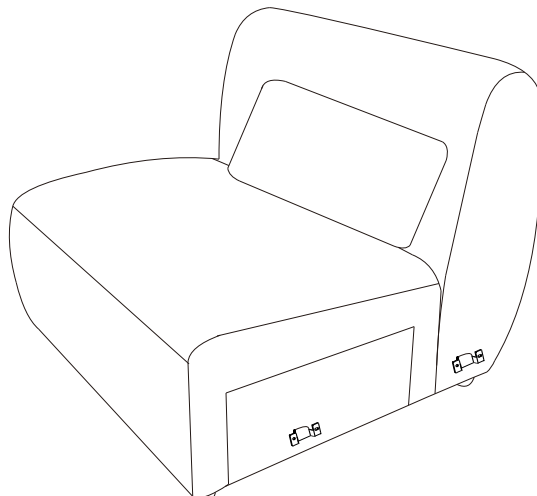
B x 1

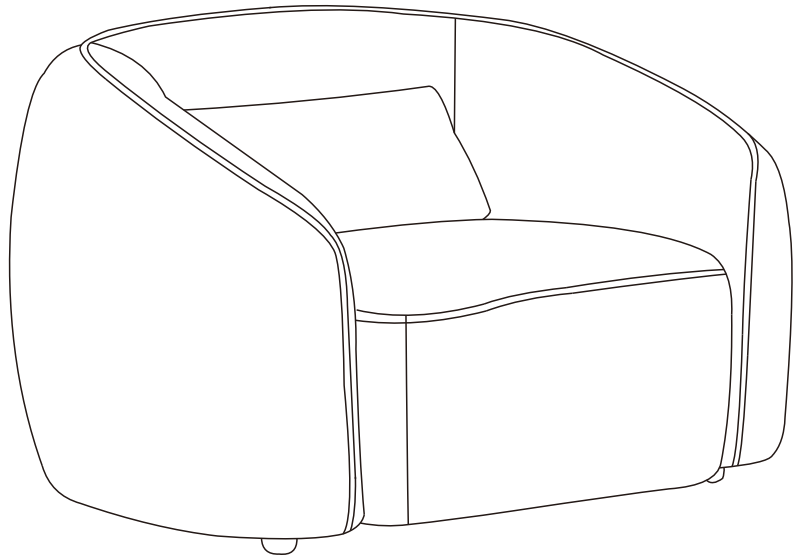
Assembly Instruction:

Step 1:



Step 2:

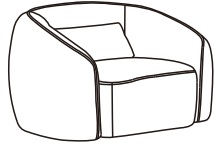




Part List:



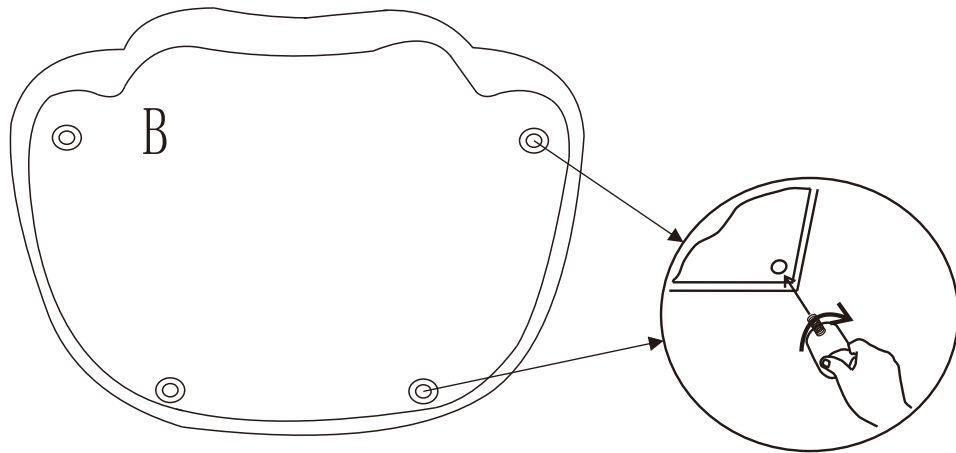
A x 4



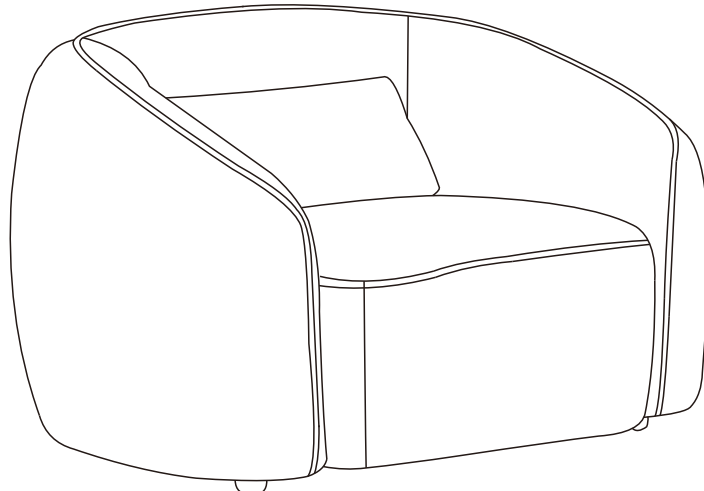
B x 1

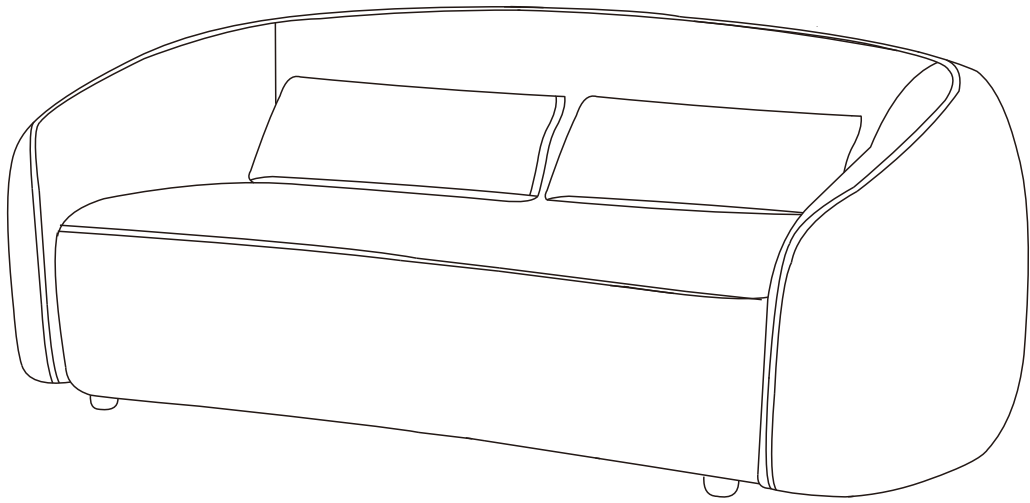
Assembly Instruction:

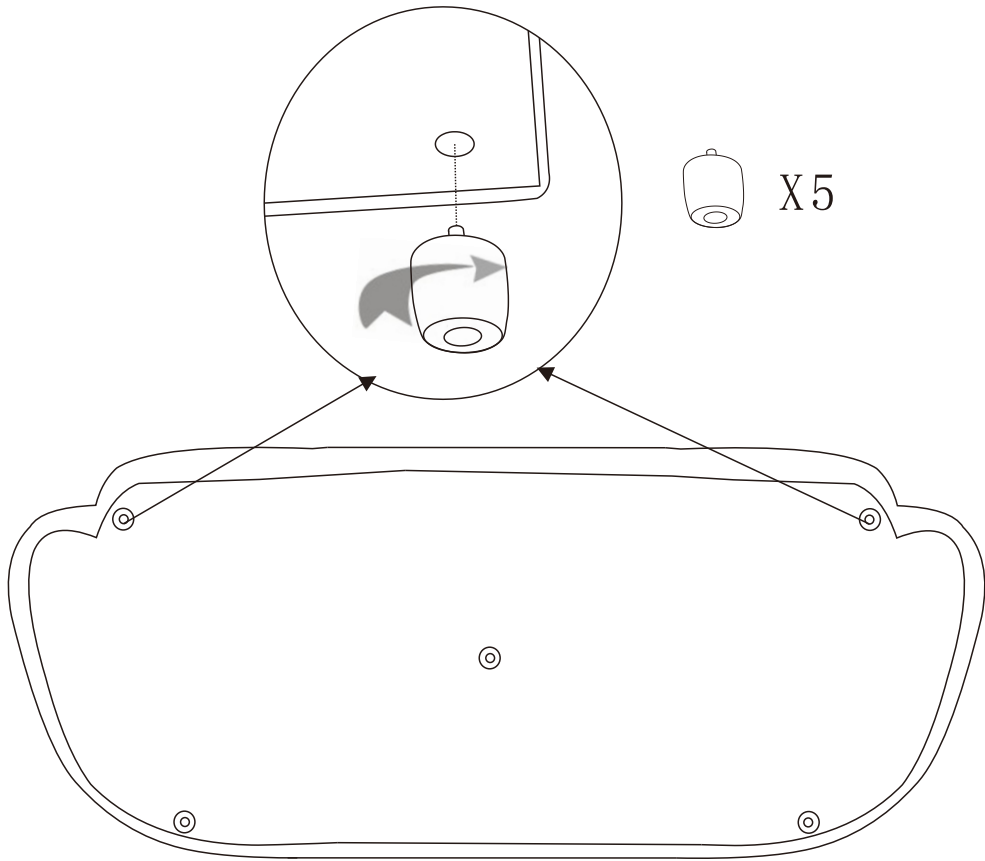
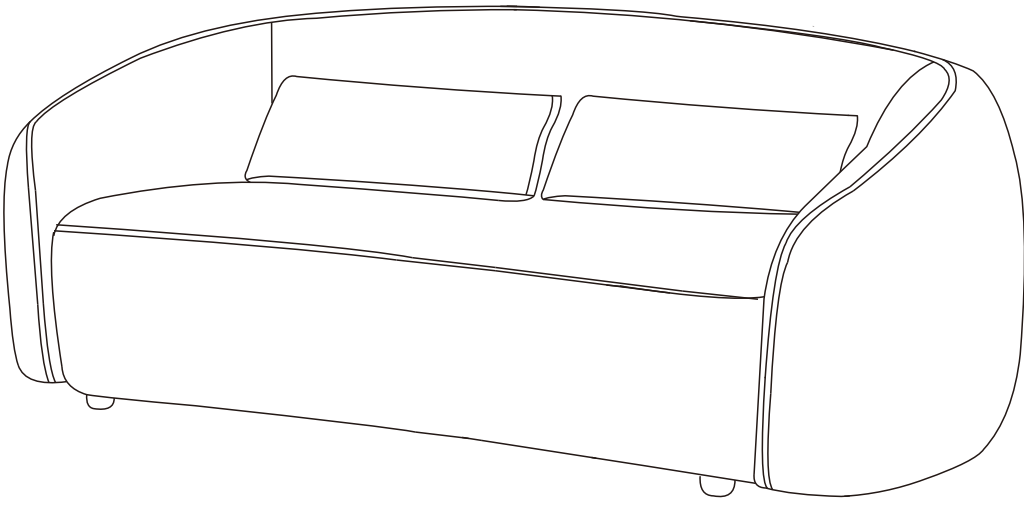
Step 1:

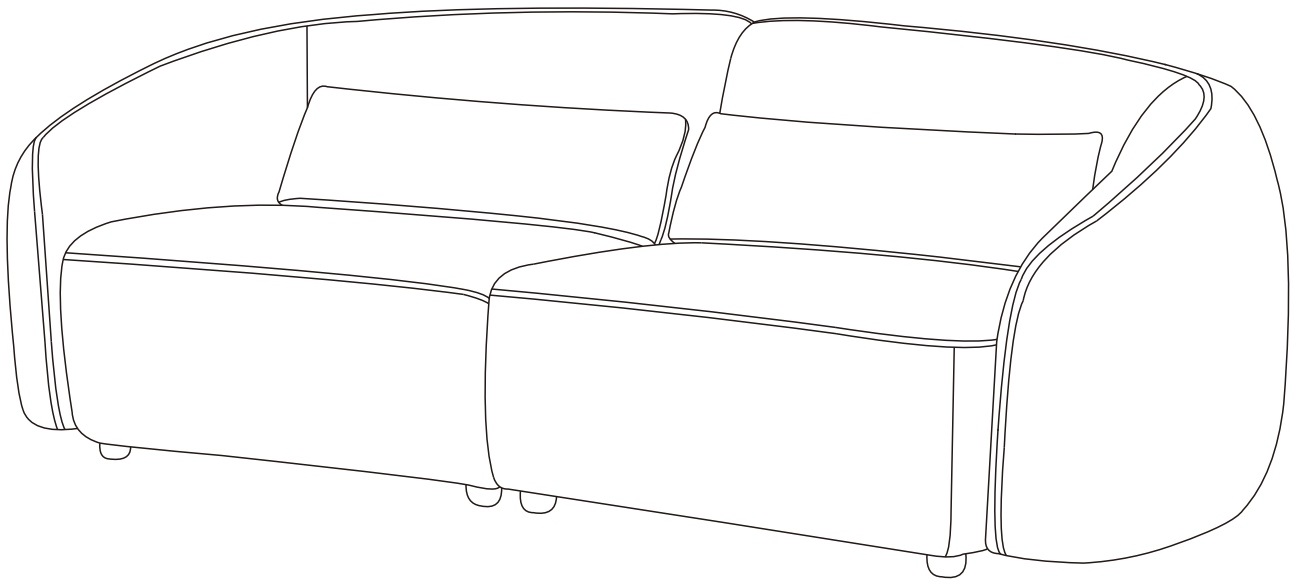


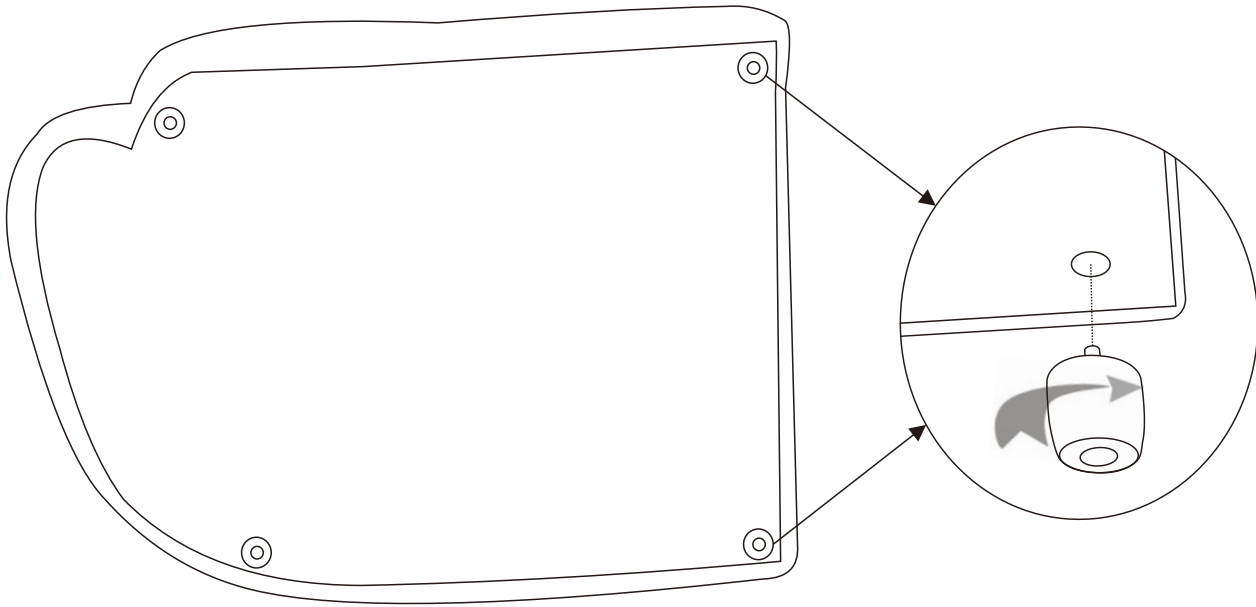
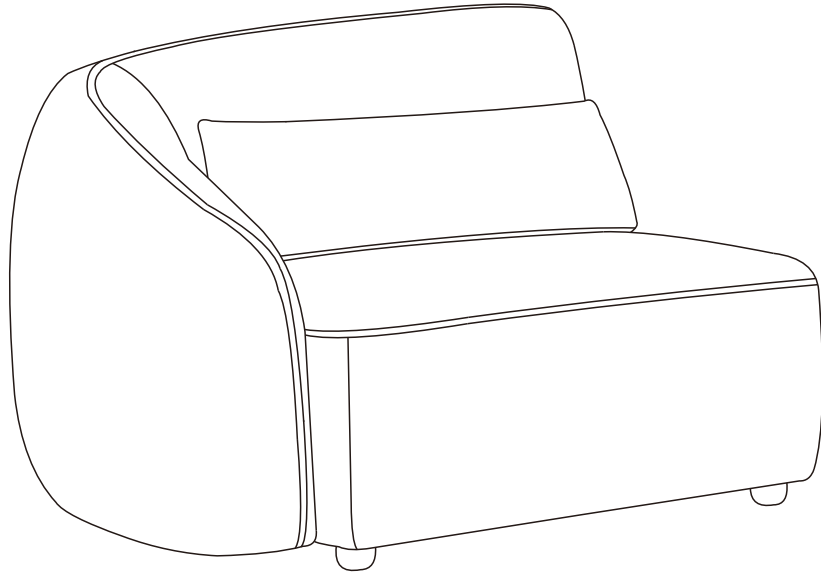
Step 2:



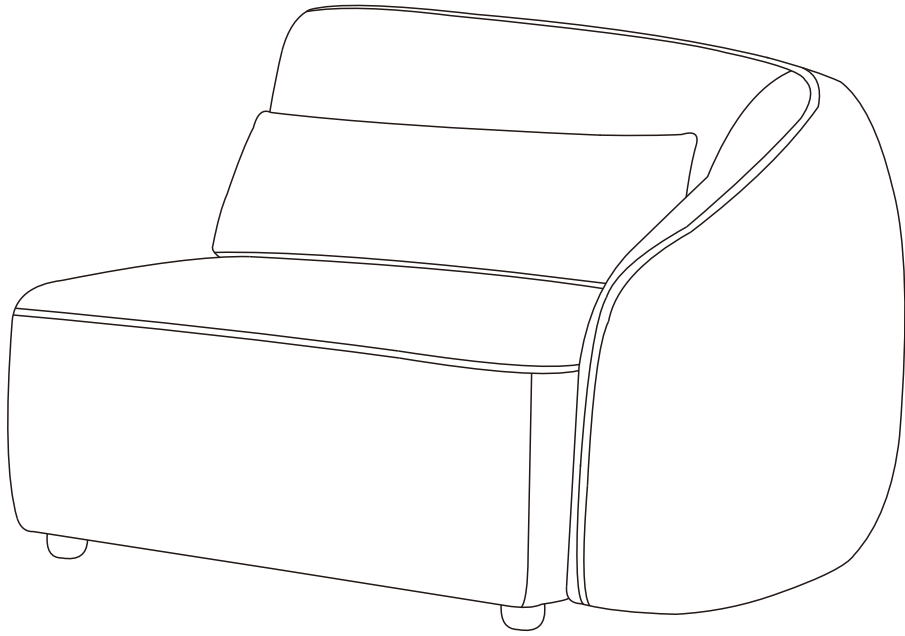








 X4



X4

